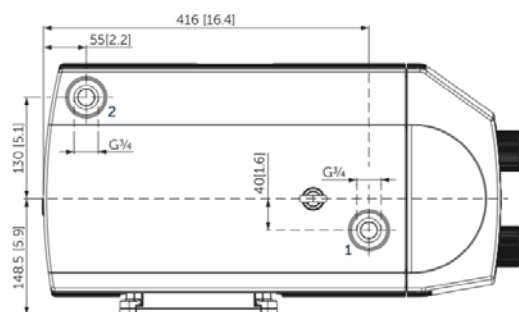
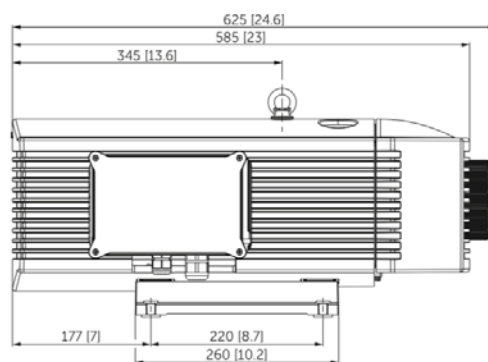
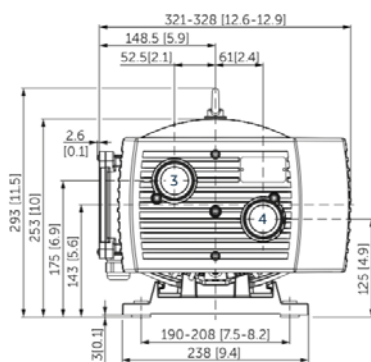




Model: T 4.40 DSK

SPECIFICATIONS

Volume flow 50 Hz	35 m ³ /h
Pressure/Vacuum relative 50 Hz	±0.6 bar
Power 50 Hz	1.85 kW
Noise Level 50 Hz	68 dB(A)
Volume flow 60 Hz	43 m ³ /h
Pressure/Vacuum relative 60 Hz	±0.6 bar
Power 60 Hz	2.2 kW
Noise Level 60 Hz	68 dB(A)
Weight	46...49.5 kg with motor



- 1 Vacuum connection (G $\frac{3}{4}$)
 - 2 Pressure connection (G $\frac{3}{4}$)
 - 3 Vacuum regulating valve
 - 4 Pressure regulating valve
- Including integrated suction air filter and compressed air cooler
 - The illustration of the terminal box may vary.
 - Dimensions in mm [inch]